

W2



## Supra 2-bolt heavy-duty clamp

The SUPRA 2-bolt heavy-duty clamp is an ideal solution for applications where increased performance and improved distribution of radial forces around the circumference of the band are required.

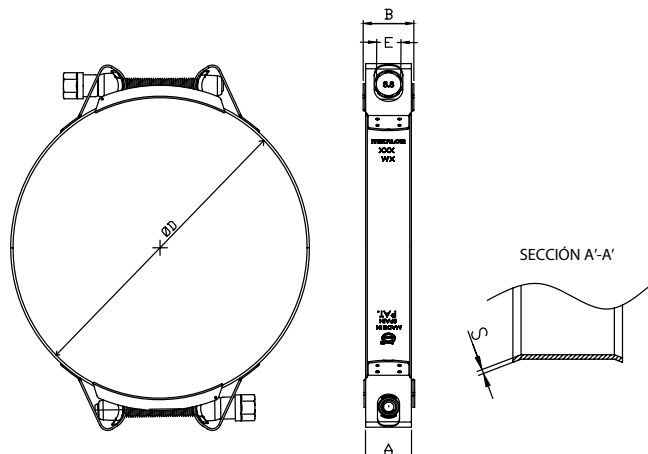
In order to ensure maximum clamping force, our bolts are manufactured in-house by Mikalor with an exclusively designed outer hexagonal head which guarantees the highest clamping force on the market.

The bevelled band edges avoid damage to the hose, making Supra safe and reliable to use.

This 2-bolt version of the Supra clamp is recommended for applications with an outer diameter (OD) over 270mm for use in sectors such as Oil and Gas, Marine, Agriculture, Foodstuffs, Hydraulics and Chemicals amongst others.

Diameter Application	Part Number	D +0.3 -0.2	A ±0.3	S ±0.3	B ±0.5	E ±0.2	Box Quantity
270-280	03170001	280	28	1,2	31,0	15	10
280-290	03170003	290	28	1,2	31,0	15	10
285-295	03170005	295	28	1,2	31,0	15	10
315-325	03170007	325	28	1,2	31,0	15	10
345-355	03170009	355	28	1,2	31,0	15	10
370-385	03170011	385	28	1,2	31,0	15	10
395-410	03170013	410	28	1,2	31,0	15	10
420-435	03170015	435	28	1,2	31,0	15	10
445-460	03170017	460	28	1,2	31,0	15	10
470-485	03170019	485	28	1,2	31,0	15	10
495-510	03170021	510	28	1,2	31,0	15	10
520-535	03170023	535	28	1,2	31,0	15	5
545-560	03170025	560	28	1,2	31,0	15	5
570-585	03170027	585	28	1,2	31,0	15	5
595-610	03170029	610	28	1,2	31,0	15	5
620-635	03170031	635	28	1,2	31,0	15	5
650-665	03170033	665	28	1,2	31,0	15	5
680-695	03170035	695	28	1,2	31,0	15	5
715-730	03170037	730	28	1,2	31,0	15	5
740-755	03170039	755	28	1,2	31,0	15	5
765-780	03170041	780	28	1,2	31,0	15	5
790-805	03170043	805	28	1,2	31,0	15	5
820-835	03170045	835	28	1,2	31,0	15	5

TECHNICAL INFORMATION	
<b>MATERIAL</b>	BAND AND BRIDGE: STAINLESS STEEL X6CR17 AISI-430 SCREW: STEEL Qst 34-3 (DIN 1.0213) 8.8 grade steel
<b>FINISH</b>	STAINLESS STEEL
<b>CORROSION RESISTANCE</b>	72 HOURS SALT SPRAY (ASTM B-117)
<b>MAXIMUM TIGHTENING SPEED (RPM)</b>	540 ±5



## Supra 2-bolt heavy-duty clamp



W4

The SUPRA 2-bolt heavy-duty clamp is an ideal solution for applications where increased performance and improved distribution of radial forces around the circumference of the band are required.

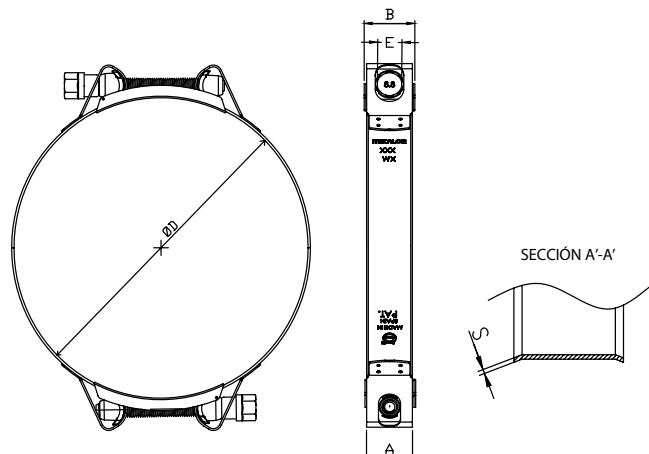
In order to ensure maximum clamping force, our bolts are manufactured in-house by Mikalor with an exclusively designed outer hexagonal head which guarantees the highest clamping force on the market.

The bevelled band edges avoid damage to the hose, making Supra safe and reliable to use.

This 2-bolt version of the Supra clamp is recommended for applications with an outer diameter (OD) over 270mm for use in sectors such as Oil and Gas, Marine, Agriculture, Foodstuffs, Hydraulics and Chemicals amongst others.

Diameter Application	Part Number	D +0.3 -0.2	A ±0.3	S ±0.3	B ±0.5	E ±0.2	Box Quantity
270-280	03180001	280	28	1,2	31,0	15	10
280-290	03180003	290	28	1,2	31,0	15	10
285-295	03180005	295	28	1,2	31,0	15	10
315-325	03180007	325	28	1,2	31,0	15	10
345-355	03180009	355	28	1,2	31,0	15	10
370-385	03180011	385	28	1,2	31,0	15	10
395-410	03180013	410	28	1,2	31,0	15	10
420-435	03180015	435	28	1,2	31,0	15	10
445-460	03180017	460	28	1,2	31,0	15	10
470-485	03180019	485	28	1,2	31,0	15	10
495-510	03180021	510	28	1,2	31,0	15	10
520-535	03180023	535	28	1,2	31,0	15	5
545-560	03180025	560	28	1,2	31,0	15	5
570-585	03180027	585	28	1,2	31,0	15	5
595-610	03180029	610	28	1,2	31,0	15	5
620-635	03180031	635	28	1,2	31,0	15	5
650-665	03180033	665	28	1,2	31,0	15	5
680-695	03180035	695	28	1,2	31,0	15	5
715-730	03180037	730	28	1,2	31,0	15	5
740-755	03180039	755	28	1,2	31,0	15	5
765-780	03180041	780	28	1,2	31,0	15	5
790-805	03180043	805	28	1,2	31,0	15	5
820-835	03180045	835	28	1,2	31,0	15	5

TECHNICAL INFORMATION	
<b>MATERIAL</b>	BAND AND BRIDGE: STAINLESS STEEL X5CrNi18010 AISI-304 SCREW: STAINLESS STEEL AISI-304
<b>FINISH</b>	STAINLESS STEEL
<b>CORROSION RESISTANCE</b>	400 HOURS SALT SPRAY (ASTM B-117)
<b>MAXIMUM TIGHTENING SPEED (RPM)</b>	540 ±5



## Supra 2-bolt heavy-duty clamp



W5

The SUPRA 2-bolt heavy-duty clamp is an ideal solution for applications where increased performance and improved distribution of radial forces around the circumference of the band are required.

In order to ensure maximum clamping force, our bolts are manufactured in-house by Mikalor with an exclusively designed outer hexagonal head which guarantees the highest clamping force on the market.

The bevelled band edges avoid damage to the hose, making Supra safe and reliable to use.

This 2-bolt version of the Supra clamp is recommended for applications with an outer diameter (OD) over 270mm for use in sectors such as Oil and Gas, Marine, Agriculture, Foodstuffs, Hydraulics and Chemicals amongst others.

Diameter Application	Part Number	D +0.3 -0.2	A ±0.3	S ±0.3	B ±0.5	E ±0.2	Box Quantity
270-280	03180001	280	28	1,2	31,0	15	10
280-290	03180003	290	28	1,2	31,0	15	10
285-295	03180005	295	28	1,2	31,0	15	10
315-325	03180007	325	28	1,2	31,0	15	10
345-355	03180009	355	28	1,2	31,0	15	10
370-385	03180011	385	28	1,2	31,0	15	10
395-410	03180013	410	28	1,2	31,0	15	10
420-435	03180015	435	28	1,2	31,0	15	10
445-460	03180017	460	28	1,2	31,0	15	10
470-485	03180019	485	28	1,2	31,0	15	10
495-510	03180021	510	28	1,2	31,0	15	10
520-535	03180023	535	28	1,2	31,0	15	5
545-560	03180025	560	28	1,2	31,0	15	5
570-585	03180027	585	28	1,2	31,0	15	5
595-610	03180029	610	28	1,2	31,0	15	5
620-635	03180031	635	28	1,2	31,0	15	5
650-665	03180033	665	28	1,2	31,0	15	5
680-695	03180035	695	28	1,2	31,0	15	5
715-730	03180037	730	28	1,2	31,0	15	5
740-755	03180039	755	28	1,2	31,0	15	5
765-780	03180041	780	28	1,2	31,0	15	5
790-805	03180043	805	28	1,2	31,0	15	5
820-835	03180045	835	28	1,2	31,0	15	5

TECHNICAL INFORMATION	
<b>MATERIAL</b>	BAND AND BRIDGE: STAINLESS STEEL X5CrNiMo1712 AISI-316 SCREW: STAINLESS STEEL AISI-316 Cu
<b>FINISH</b>	STAINLESS STEEL
<b>CORROSION RESISTANCE</b>	1000 HOURS SALT SPRAY (ASTM B-117)
<b>MAXIMUM TIGHTENING SPEED (RPM)</b>	540 ±5

