



Luxecasting
International Group

TW Couplings



100 % On Site Production

BRASS & ALUMINIUM TW FORGING PROCESS

Cutting



Forging



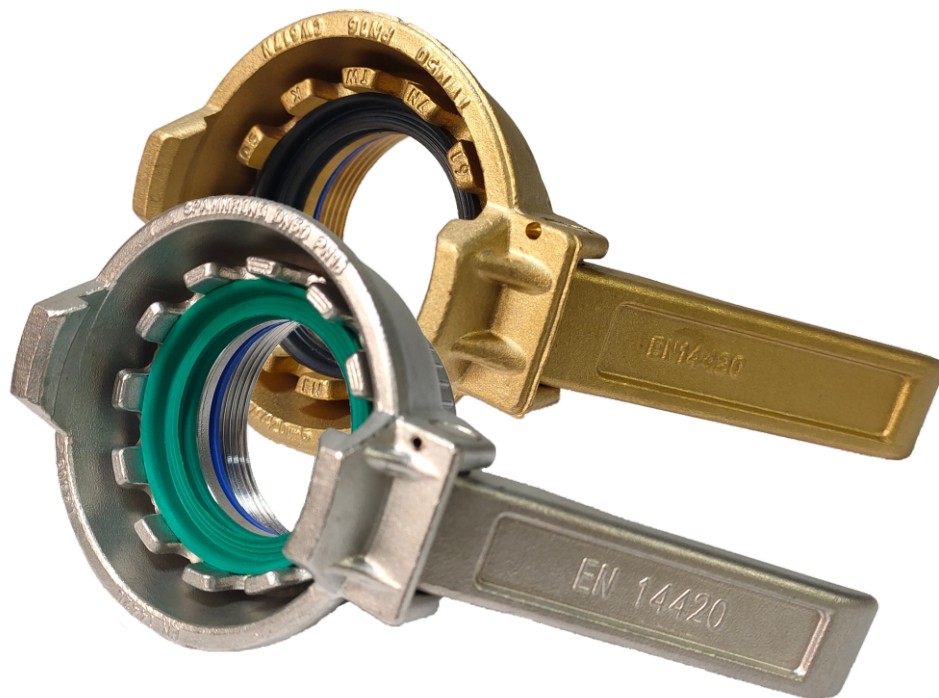
Deburring



Machining



Assembly



100 % On Site Production

STAINLESS STEEL TW INVESTMENT CASTING PROCESS

Wax pattern



Sand blasting



Cut off & Grinding



Shot blasting



Assembly



TW COUPLINGS

Normative regulation:
DIN28450-EN14420-6

Sizes:
DN50/DN80/DN100

Materials:
Stainless Steel 316 (Investment Casting)
Brass Forging
Aluminium Forging
Polypropylen injection

Working Pressure:
16bars/232psi
6 bars/87 psi (for pp)

Thread type:
EN ISO228-BSP

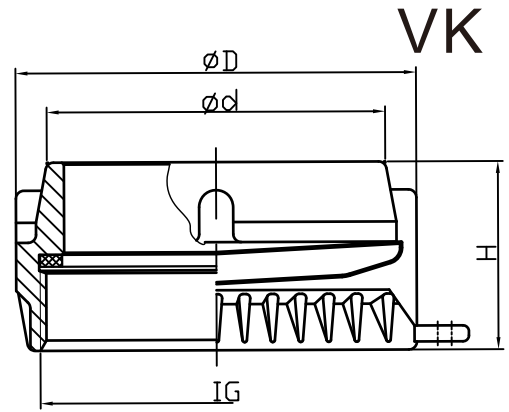
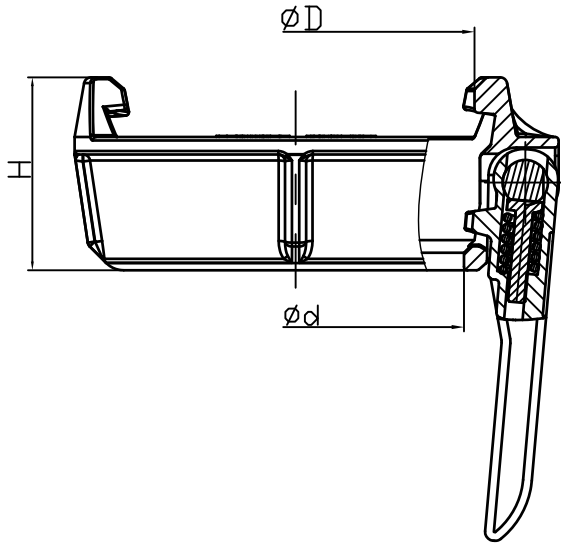
Coupling Gaskets:
NBR (-30°C/+120°C)
EPDM (-45°C/+145°C)
FPM (-30°C/+200°C)
CSM (-30°C/+125°C)

Thread Gaskets:
PU (-50°C/+100°C)
PTFE(-25°C/+250°C)

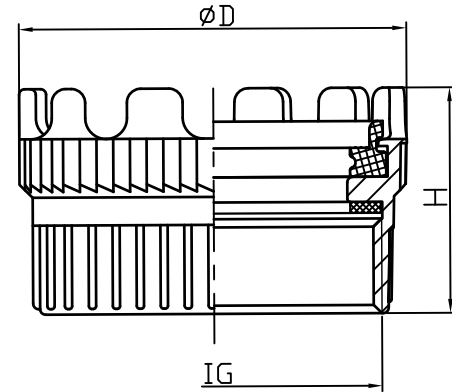
Applications:
Chemicals
Food industry
Tank Fuel Truck Equipement



TWM



TWK

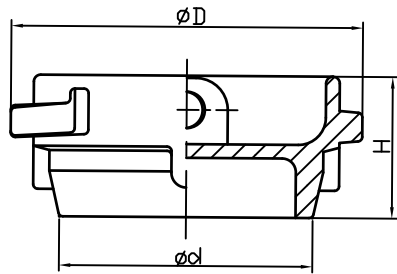


Name	D (mm)	d (mm)	H (mm)	IG (Female Thread)
VK50/40	67	55	38	G1 1/2"
VK50	67	55	38	G2"
VK80/65	100	84.5	47	G2 1/2"
VK80	100	84.5	47	G3"
VK100	140	110	48	G4"

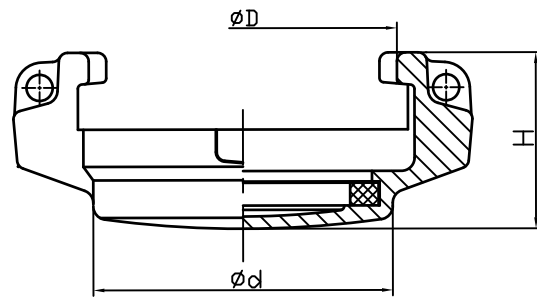
Name	D (mm)	d (mm)	H (mm)	IG
TWM50	77	38	42	X
TWM80	102	96	55	X
TWM100	131	123	55	X

Name	D (mm)	d (mm)	H (mm)	IG (Female Thread)
TWK50/40	70	X	40.5	G1 1/2"
TWK50	70	X	40.5	G2"
TWK80/65	101	X	52	G2 1/2"
TWK80	101	X	52	G3"
TWK100	135	X	50.5	G4"

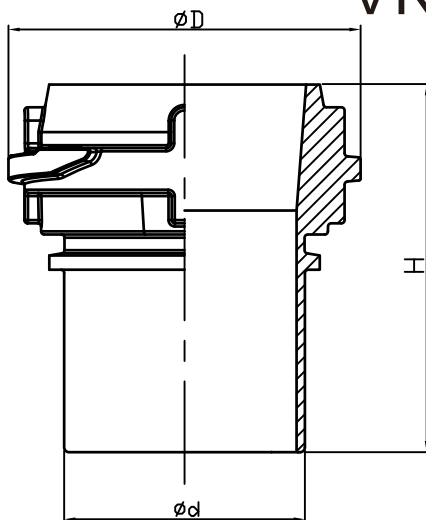
VB



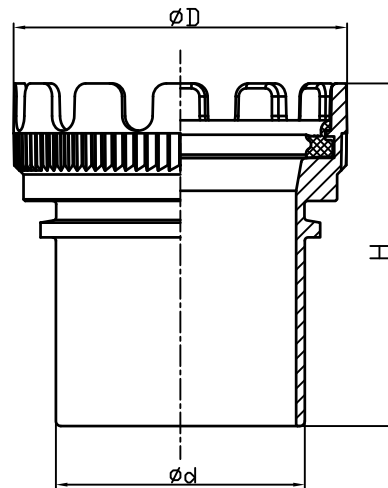
MB



VKST



MKST



Name	D (mm)	d (mm)	H (mm)
VB50	67	55.5	31
VB80	110	101	37
VB100	140	126	37

Name	D (mm)	d (mm)	H (mm)
MB50	70	70	38
MB80	120	100	49
MB100	128	121	47

Name	D (mm)	d (mm)	H (mm)
VKST50	77	50	87
VKST80	110	75	115
VKST100	132	100	132

Name	D (mm)	d (mm)	H (mm)
MKST50	70	50	74
MKST80	102	75	103
MKST100	132	100	103

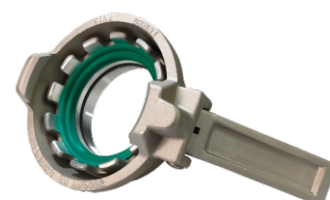
VK (Female BSPP Thread / Thread gasket)

Name	Thread	Code	Weight (KG)	Gasket	Material
VK50/40	ISO228-1½"	L0102021	0.45	PTFE	SS
VK50	ISO228-2"	L0102002	0.29	PTFE	SS
VK80/65	ISO228-2½"	L0102022	1.00	PTFE	SS
VK80	ISO228-3"	L0102023	0.71	PTFE	SS
VK100	ISO228-4"	L0102005	1.05	PTFE	SS
VK50/40	ISO228-1½"	L0102024	0.51	PU	BR
VK50	ISO228-2"	L0102011	0.34	PU	BR
VK80/60	ISO228-2½"	L0102050	1.10	PU	BR
VK80	ISO228-3"	L0102012	0.75	PU	BR
VK100	ISO228-4"	L0102009	1.28	PU	BR
VK50	ISO228-2"	L0102052	0.25	PU	AL
VK80	ISO228-3"	L0102036	0.27	PU	AL



MK (Female BSPP Thread / Thread gasket)

Name	Thread	Code	Weight (KG)	Gasket	Material
MK50	ISO228-2"	L0192004	0.34	CSM	SS
MK80	ISO228-3"	L0195005	1.31	CSM	SS
MK100	ISO228-4"	L0192012	2.05	CSM	SS
MK50	ISO228-2"	L0192001	0.69	NBR	BR
MK80	ISO228-3"	L0192002	1.43	NBR	BR
MK100	ISO228-4"	L0192003	2.62	NBR	BR
MK50	ISO228-2"	L0192006	0.38	NBR	AL
MK80	ISO228-3"	L0192016	0.59	NBR	AL



MB

Name	Size	Code	Weight (KG)	Gasket	Material
MB50	2"	L0106027	0.27	CSM	SS
MB80	3"	L0106028	0.68	CSM	SS
MB100	4"	L0106003	1.16	CSM	SS
MB50	2"	L0106013	0.31	NBR	BR
MB80	3"	L0106005	0.39	NBR	BR
MB100	4"	L0106006	1.31	NBR	BR
MB50	2"	L0106032	0.12	NBR	AL
MB80	3"	L0106010	0.30	NBR	AL
MB100	4"	L0106012	0.46	NBR	AL



VB

Name	Size	Code	Weight (KG)	Accessories	Material
VB50	2"	L0105019	0.27	Chain	SS
VB80	3"	L0105020	0.64	Chain	SS
VB100	4"	L0105021	1.01	Chain	SS
VB50	2"	L0105001	0.31	Chain	BR
VB80	3"	L0105006	0.75	Chain	BR
VB100	4"	L0105002	1.09	Chain	BR
VB50	2"	L0105022	0.14	Chain	AL
VB80	3"	L0105038	0.21	Chain	AL
VB100	4"	L0105012	0.31	Chain	AL
VB50	2"	L0105035	0.05	Chain	PP
VB80	3"	L0105036	0.10	Chain	PP
VB100	4"	L0105037	0.17	Chain	PP



TWK(Female BSPP Thread / Thread gasket)

Name	Thread	Code	Weight (KG)	Gasket	Thread Gasket	Material
TWK50/40	ISO228-1½"	L0101019	0.27	CSM	PU	SS
TWK50	ISO228-2"	L0101003	0.21	CSM	PU	SS
TWK80/65	ISO228-2½"	L0101020	0.31	CSM	PU	SS
TWK80	ISO228-3"	L0101004	0.45	CSM	PU	SS
TWK100	ISO228-4"	L0101029	0.85	CSM	PU	SS



TWK50/40	ISO228-1½"	L0101021	0.31	NBR	PU	BR
TWK50	ISO228-2"	L0101013	0.23	NBR	PU	BR
TWK80/65	ISO228-2½"	L0101022	0.48	NBR	PU	BR
TWK80	ISO228-3"	L0101014	0.49	NBR	PU	BR
TWK100	ISO228-4"	L0101008	0.89	NBR	PU	BR



TWK50	ISO228-2"	L0101059	0.13	NBR	PU	AL
TWK80	ISO228-3"	L0101058	0.20	NBR	PU	AL

TWK(Male BSPP Thread / Thread gasket)

Name	Thread	Code	Weight (KG)	Gasket	Material
TWK Male50/40	ISO228-1½"	L0101019	0.22	CSM	SS
TWK Male 50	ISO228-2"	L0101003	0.19	CSM	SS



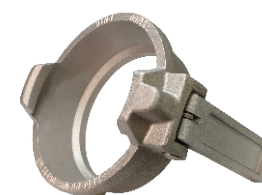
TWK Male 50/40	ISO228-1½"	L0101012	0.25	NBR	BR
TWK Male 50	ISO228-2"	L0101011	0.22	NBR	BR



TWK Male 50/40	ISO228-1½"	L0101063	0.19	NBR	AL
----------------	------------	----------	------	-----	----

TWM

Name	Size	Code	Weight (KG)	Accessories	Material
TWM 50	2"	L0103001	0.43	Standard handle	SS
TWM 80	3"	L0103002	0.86	Standard handle	SS
TWM100	4"	L0103003	1.17	Standard handle	SS



TWM 50	2"	L0103007	0.46	Standard handle	BR
TWM 80	3"	L0103011	0.94	Standard handle	BR
TWM100	4"	L0103009	1.61	Standard handle	BR



TWM 50	2"	L0103061	0.25	Standard handle	AL
TWM 80	3"	L0103062	0.39	Standard handle	AL

MKST SERRATED

Name	Size	Code	Weight (KG)	Gasket	Material
MKST50	2"	L0112008	0.69	CSM	SS
MKST80	3"	L0112007	0.83	CSM	SS
MKST100	4"	L0112024	3.22	CSM	SS
MKST50	2"	L0112001	0.85	NBR	BR
MKST80	3"	L0112002	1.68	NBR	BR
MKST100	4"	L0112023	3.32	NBR	BR



MKST SMOOTH

Name	Size	Code	Weight (KG)	Gasket	Material
MKST50	2"	L0112010	0.86	CSM	SS
MKST80	3"	L0112011	1.60	CSM	SS
MKST100	4"	L0112020	3.08	CSM	SS
MKST50	2"	L0112026	0.78	NBR	BR
MKST80	3"	L0112027	1.72	NBR	BR
MKST100	4"	L0112025	3.17	NBR	BR



VKST SERRATED

Name	Size	Code	Weight (KG)	Gasket	Material
VKST50	2"	L0111007	0.58	-	SS
VKST80	3"	L0111006	1.36	-	SS
VKST100	4"	L0111022	3.11	-	SS
VKST50	2"	L0111001	0.78	-	BR
VKST80	3"	L0111002	1.69	-	BR
VKST100	4"	L0111021	3.18	-	BR



VKST SMOOTH

Name	Size	Code	Weight (KG)	Gasket	Material
VKST50	2"	L0111009	0.78	-	SS
VKST80	3"	L0111010	1.65	-	SS
VKST100	4"	L0111020	3.02	-	SS
VKST50	2"	L0111011	0.76	-	BR
VKST80	3"	L0111012	1.69	-	BR
VKST100	4"	L0111023	3.20	-	BR



TWML WITH LOCK HANDLE

Name	Size	Code	Weight (KG)	Accessories	Material
TWML 50	2"	L0193020	0.43	Lock Handle	SS
TWML 80	3"	L0193018	0.89	Lock Handle	SS
TWML 100	4"	L0193016	1.33	Lock Handle	SS
TWML50	2"	L0193019	0.51	Lock Handle	BR
TWML80	3"	L0193017	0.79	Lock Handle	BR
TWML100	4"	L0193015	1.59	Lock Handle	BR



TWM WITH 90° HANDLE

Name	Size	Code	Weight (KG)	Accessories	Material
TWM 50-90°	2"	L0103015	0.43	90° Handle	SS
TWM 80-90°	3"	L0103016	0.87	90° Handle	SS
TWM100-90°	4"	L0103017	1.33	90° Handle	SS



CHAIN WITH "S" HOOK

Name	Size	Code	Material
TW chain	200mm	L0110001	SS
TW chain	300mm	L0110002	SS
TW chain	200mm	L0110003	BR
TW chain	300mm	L0110004	BR



SPANNERS

Name	Size	Code	Material
Spanners	Q90-KI55	L9002193	SS
Spanners	DN25-150	L0226006	SS



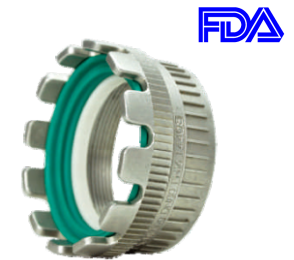
VK PTFE COATED (Female BSPP / Thread gasket)

Name	Thread	Code	Weight (KG)	Gasket	Material
VKP50	ISO228-2"	L0102029	0.32	-	SS
VKP80	ISO228-3"	L0102030	0.77	-	SS
VKP100	ISO228-4"	L0102037	1.17	-	SS



TWK PTFE COATED (Female BSPP / Thread gasket)

Name	Thread	Code	Weight (KG)	Gasket	Material
TWKP50	ISO228-2"	L0101027	0.26	CSM	SS
TWKP80	ISO228-3"	L0101028	0.53	CSM	SS
TWKP100	ISO228-4"	L0101033	1.00	CSM	SS



VB PTFE COATED

Name	Size	Code	Weight (KG)	Gasket	Material
VBP50	2"	L0105030	0.32	-	SS
VBP80	3"	L0105031	0.74	-	SS
VBP100	4"	L0105032	1.15	-	SS



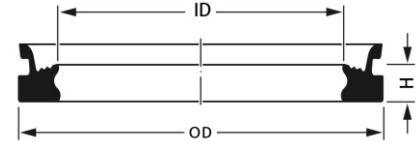
MB PTFE COATED

Name	Size	Code	Weight (KG)	Gasket	Material
MBP50	2"	L0106029	0.32	-	SS
MBP80	3"	L0106030	0.76	-	SS
MBP100	4"	L0106032	1.11	-	SS



Profiled Crown Gasket (For MK/TWK 2" and 3")

Name	Size	Code	OD	ID	H	Colour	Material
DN50	2"	L0107002	62.5	49	11	Black	NBR
DN80	3"	L0107001	92	76	11.6	Black	NBR
DN50	2"	L0107006	62.5	49	11	Green	CSM
DN80	3"	L0107007	92	76	11.6	Green	CSM
DN50	2"	L0107011	62.5	49	11	Black	FPM
DN80	3"	L0107012	92	76	11.6	Black	FPM



FLAT SEAL(For MB 2" and 3")

Name	Size	Code	OD	ID	H	Colour	Material
DN50	2"	L0107004	61.5	49	5	Black	NBR
DN80	3"	L0107005	92	76	6	Black	NBR
DN50	2"	L0107009	61.5	49	5	Green	CSM
DN80	3"	L0107010	92	76	6	Green	CSM
DN50	2"	L0107004	61.5	49	5	White	PTFE
DN80	3"	L0107005	92	76	6	White	PTFE
DN50	2"	L0107009	61.5	49	5	Black	FPM
DN80	3"	L0107010	92	76	6	Black	FPM



O-RING

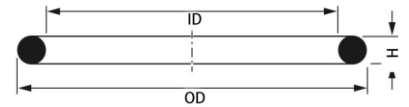
Name	Size	Code	OD	ID	H	Colour	Material
DN100	4"	L0107066	113	99	7	Black	NBR



DN100	4"	L0107082	113	99	7	Black	FPM
-------	----	----------	-----	----	---	-------	-----



DN100	4"	L0107067	113	99	7	Green	CSM
-------	----	----------	-----	----	---	-------	-----



THREAD SEAL

Name	Size	Code	OD	ID	H	Colour	Material
DN40	1 1/2"	L1090175	46	33	2	White	PTFE
DN50	2"	L1090176	60	49	2	White	PTFE
DN65	2 1/2"	L1090177	74	93	3	White	PTFE
DN80	3"	L1090178	88	77	3	White	PTFE
DN100	4"	L1090179	114	100	3	White	PTFE

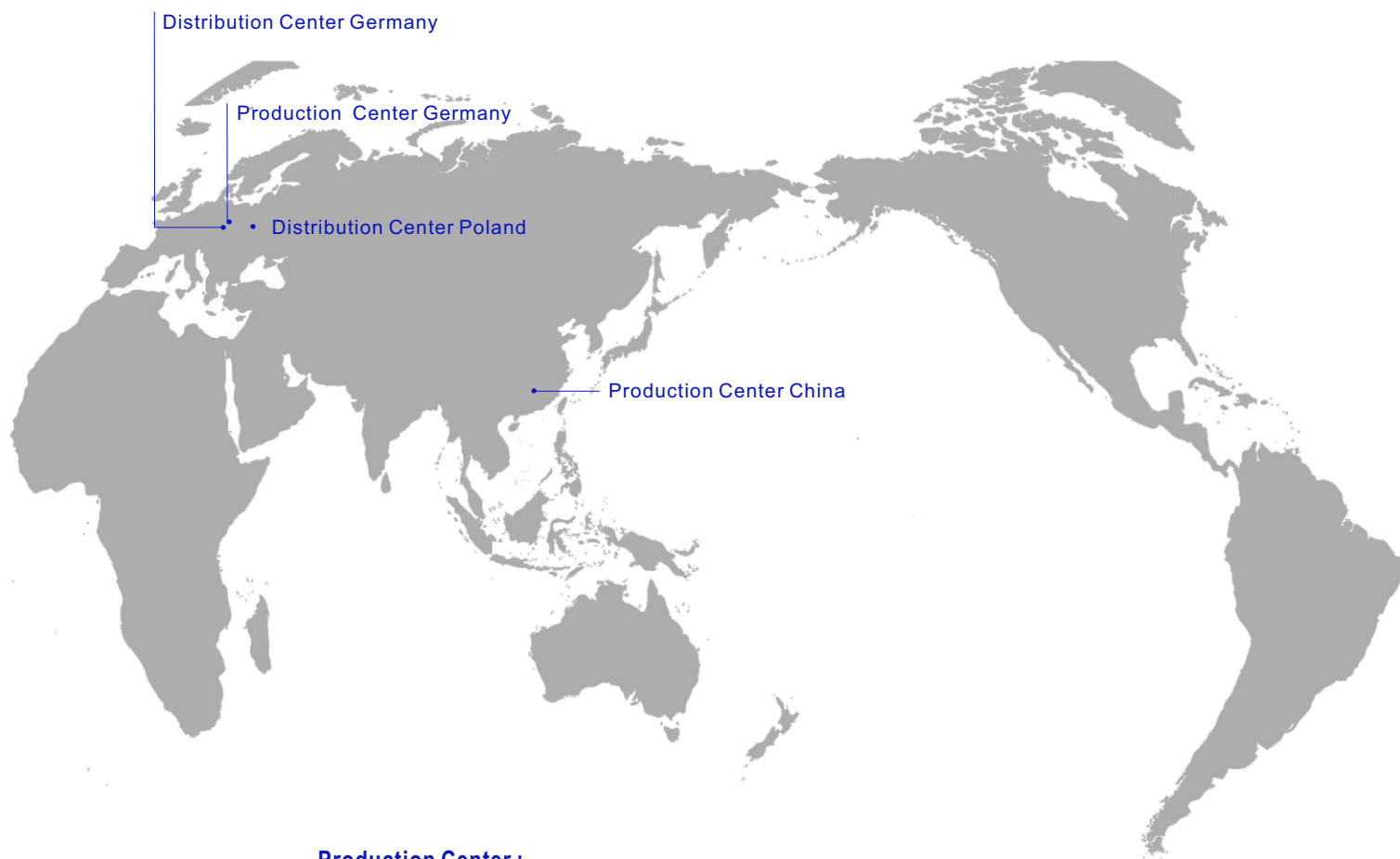


DN40	1 1/2"	L9001877	46	33	2	Blue	PU
DN50	2"	L9001878	60	49	2	Blue	PU
DN65	2 1/2"	L9001879	74	93	3	Blue	PU
DN80	3"	L9001880	88	77	3	Blue	PU
DN100	4"	L9001881	114	100	3	Blue	PU





Luxecasting International Group



Production Center :

LUXECASTING Machinery +86 795 7066 681

LUXECASTING Germany +49 5232 9226 0

Distribution Center :

LUXECASTING Europe +49 210 450 839 21

LUXECASTING Poland +48 503 834 570

info@luxecasting.com
www.luxecasting.com