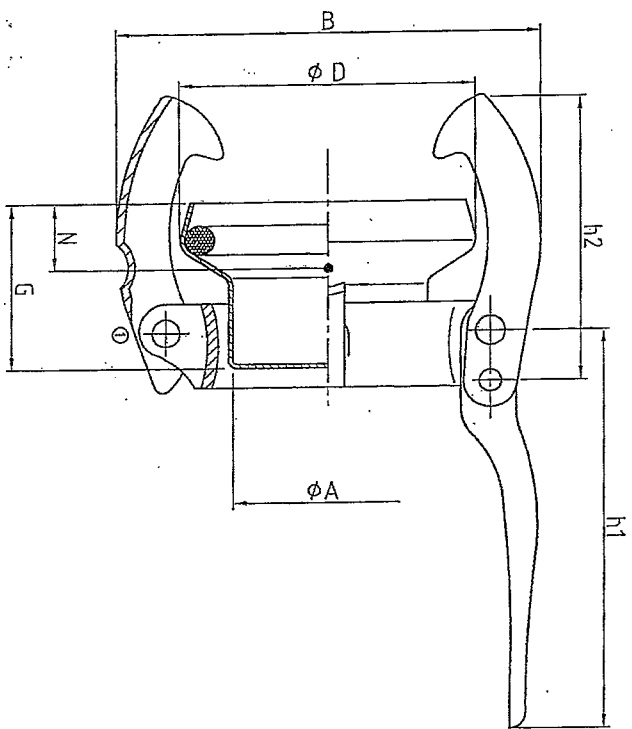
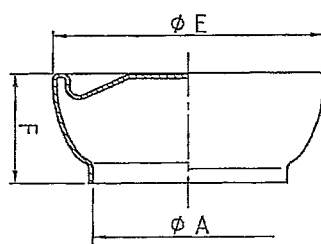


| 规格        | $\phi C$   | $\phi D$ | H   | h1  | h2  | N  |
|-----------|------------|----------|-----|-----|-----|----|
| 50 × 50   | 50         | 52       | 170 | 132 | 89  | 24 |
| 70 × 70   | 70         | 72       | 182 | 150 | 109 | 25 |
| 89 × 75   | 75         | 77       | 227 |     |     | 31 |
| 89 × 80   | 80         | 82       | 227 |     |     |    |
| 89 × 90   | 90         | 92       | 262 | 222 | 143 |    |
| 108 × 75  | 75         | 77       | 262 |     |     | 36 |
| 108 × 100 | 100        | 102      | 253 |     |     |    |
| 108 × 110 | 108        | 111      | 253 |     |     | 35 |
| 133 × 125 | $\phi 125$ | 127      | 285 |     |     | 35 |
| 159 × 150 | $\phi 150$ | 152      | 286 |     |     | 36 |

| 规格        | $\phi C$ | $\phi D$ | L   |
|-----------|----------|----------|-----|
| 50 × 50   | 50       | 52       | 140 |
| 70 × 70   | 70       | 72       | 151 |
| 89 × 75   | 75       | 77       |     |
| 89 × 80   | 80       | 82       | 188 |
| 89 × 90   | 90       | 92       |     |
| 108 × 75  | 75       | 77       | 216 |
| 108 × 100 | 100      | 102      | 207 |
| 108 × 110 | 108      | 111      |     |
| 133 × 125 | 124      | 127      | 238 |
| 159 × 150 | 149      | 152      |     |



| $\phi A$ | $\phi D$ | B   | N  | G    | h1  | h2  |
|----------|----------|-----|----|------|-----|-----|
| 50       | 86       | 130 | 24 | 53.5 | 132 | 89  |
| 70       | 109      | 160 | 25 | 62.5 | 150 | 109 |
| 89       | 139      | 202 | 31 | 70   | 222 | 143 |
| 108      | 162      | 234 | 36 | 80   | 222 | 143 |
| 133      | 192      | 265 | 35 | 90   | 222 | 143 |
| 159      | 225      | 298 | 36 | 89   | 222 | 143 |



| $\phi A$ | $\phi E$ | F  |
|----------|----------|----|
| 50       | 75       | 34 |
| 70       | 100      | 42 |
| 89       | 134      | 49 |
| 108      | 157      | 48 |
| 133      | 177      | 55 |
| 159      | 210      | 56 |